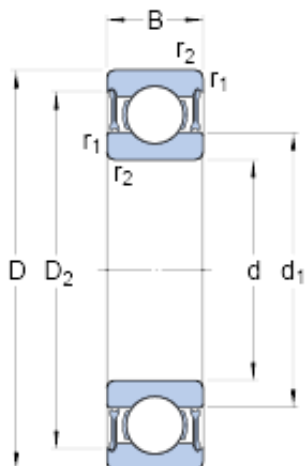




## BEARING ITALIA S.P.A



25 mm x 62 mm x 17 mm skf W 6305-2RZ Deep groove ball bearings

Bearing No. W 6305-2RZ

W 6305-2RZ Bearing 2D drawings and 3D CAD models

Size	62x25x17 mm
Bore Diameter	62 mm
Outer Diameter	25 mm
Width	17 mm
d	25 mm
D	62 mm
B	17 mm
d <sub>1</sub>	38.1 mm
D <sub>2</sub>	53.2 mm
r <sub>1,2</sub> - min.	1.1 mm
D <sub>a</sub> - max.	55.5 mm
r <sub>a</sub> - max.	1 mm
Basic dynamic load rating - C	17.8 kN
Basic static load rating - C <sub>0</sub>	11.2 kN
Fatigue load limit - P <sub>u</sub>	0.48 kN
Reference speed	26000 r/min
Limiting speed	13000 r/min
Calculation factor - k <sub>r</sub>	0.035
Calculation factor - f <sub>0</sub>	13.2
d <sub>1</sub>	38.1 mm
D <sub>2</sub>	53.22 mm
r <sub>1,2</sub> min.	1.1 mm
d <sub>a</sub> min.	31.5 mm
d <sub>a</sub> max.	38 mm



## BEARING ITALIA S.P.A

$D_a$ max.	55.5 mm
$r_a$ max.	1 mm
Basic dynamic load rating C	17.8 kN
Basic static load rating $C_0$	11.2 kN
Fatigue load limit $P_u$	0.48 kN
Calculation factor $k_r$	0.035
Calculation factor $f_0$	13.2
Mass bearing	0.23 kg