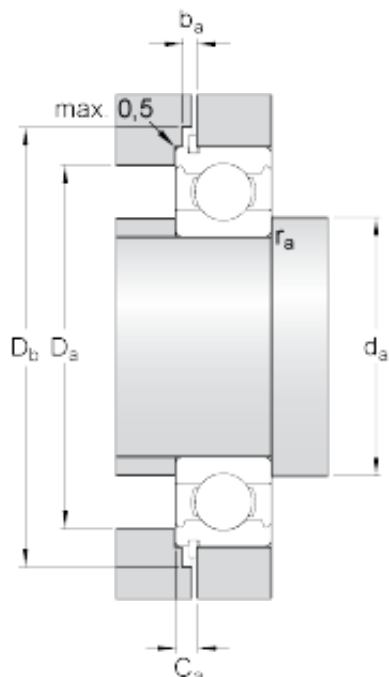




BEARING ITALIA S.P.A

60 mm x 130 mm x 31 mm skf 6312 N Deep groove ball bearings

Bearing No. 6312 N



6312 N Bearing 2D drawings and 3D CAD models

d	60 mm
D	130 mm
B	31 mm
d_1	81.86 mm
D_2	112.2 mm
D_3	125.22 mm
b	3.1 mm
C	4.06 mm
r_0 max.	0.6 mm
$r_{1,2}$ min.	2.1 mm
d_a min.	72 mm
D_a max.	118 mm
D_b min.	141 mm
b_a min.	3.5 mm
C_a max.	6.88 mm
r_a max.	2 mm
Basic dynamic load rating C	85.2 kN
Basic static load rating C_0	52 kN
Fatigue load limit P_u	2.2 kN
Reference speed	11000 r/min
Limiting speed	7000 r/min
Calculation factor k_r	0.03
Calculation factor f_0	13
Mass bearing	1.72 kg