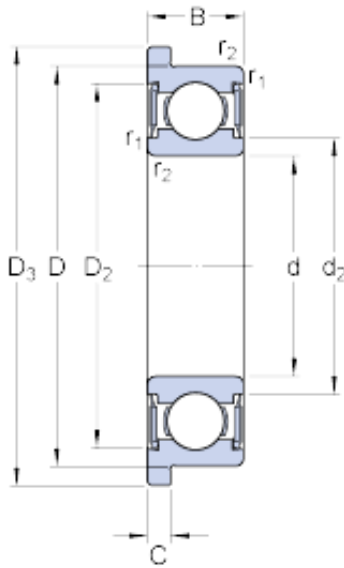




# BEARING ITALIA S.P.A



## 6 mm x 13 mm x 5 mm skf W 628/6 R-2RS1 Deep groove ball bearings

Bearing No. W 628/6 R-2RS1

W 628/6 R-2RS1 Bearing 2D drawings and 3D CAD models

Size	13x6x5 mm
Bore Diameter	13 mm
Outer Diameter	6 mm
Width	5 mm
d	6 mm
D	13 mm
B	5 mm
d <sub>2</sub>	7.4 mm
D <sub>2</sub>	11.7 mm
D <sub>3</sub>	15 mm
C	1.1 mm
r <sub>1,2</sub> - min.	0.15 mm
d <sub>a</sub> - min.	6.8 mm
r <sub>a</sub> - max.	0.15 mm
Basic dynamic load rating - C	0.618 kN
Basic static load rating - C <sub>0</sub>	0.224 kN
Fatigue load limit - P <sub>u</sub>	0.01 kN
Limiting speed	30000 r/min
Calculation factor - k <sub>r</sub>	0.02
Calculation factor - f <sub>0</sub>	7
d <sub>2</sub>	7.4 mm
D <sub>2</sub>	11.7 mm
D <sub>3</sub>	15 mm
r <sub>1,2</sub> min.	0.15 mm



## BEARING ITALIA S.P.A

$d_a$ min.	7.2 mm
$d_a$ max.	7.3 mm
$r_a$ max.	0.15 mm
Basic dynamic load rating C	0.618 kN
Basic static load rating $C_0$	0.224 kN
Fatigue load limit $P_u$	0.01 kN
Calculation factor $k_r$	0.02
Calculation factor $f_0$	7
Mass bearing	0.003 kg