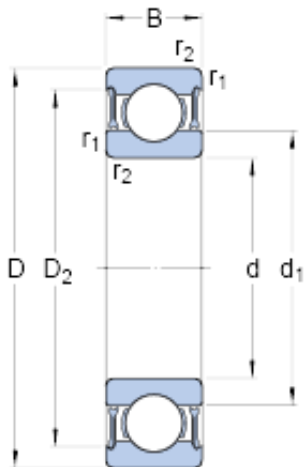




BEARING ITALIA S.P.A



40 mm x 90 mm x 23 mm skf 6308-2RZ Deep groove ball bearings

Bearing No. 6308-2RZ

6308-2RZ Bearing 2D drawings and 3D CAD models

Size	90x40x23 mm
Bore Diameter	90 mm
Outer Diameter	40 mm
Width	23 mm
d	40 mm
D	90 mm
B	23 mm
d ₁	56.11 mm
D ₂	77.7 mm
r _{1,2} - min.	1.5 mm
d _a - min.	49 mm
d _a - max.	56 mm
D _a - max.	81 mm
r _a - max.	1.5 mm
Basic dynamic load rating - C	42.3 kN
Basic static load rating - C ₀	24 kN
Fatigue load limit - P _u	1 kN
Reference speed	17000 r/min
Limiting speed	8500 r/min
Calculation factor - k _r	0.03
Calculation factor - f ₀	13.2
Category	Single Row Ball Bearings
Inventory	0.0
Manufacturer Name	SKF



BEARING ITALIA S.P.A

Minimum Buy Quantity	N/A
Weight / Kilogram	0
Product Group	B00308
Enclosure	2 Seals
Precision Class	ABEC 1 ISO P0
Maximum Capacity / Filling Slot	No
Rolling Element	Ball Bearing
Snap Ring	No
Internal Special Features	No
Cage Material	Steel
Enclosure Type	Non-Contact Seal
Internal Clearance	C0-Medium
Inch - Metric	Metric
Long Description	40MM Bore; 90MM Outside Diameter; 23MM Outer Race Width; 2 Seals; Ball Bearing; ABEC 1 ISO P0; No Filling Slot; No Snap Ring; No Internal Special Features; C0-Medium Internal Clearance; Steel Cage;
Other Features	Deep Groove NBR Seal
Category	Single Row Ball Bearing
UNSPSC	31171504
Harmonized Tariff Code	8482.10.50.68
Noun	Bearing
Keyword String	Ball
Manufacturer URL	http://www.skf.com
Weight / LBS	1.411
Outer Race Width	0.906 Inch 23 Millimeter
Bore	1.575 Inch 40 Millimeter
Outside Diameter	3.543 Inch 90 Millimeter
Inner Race Width	0 Inch 0 Millimeter



BEARING ITALIA S.P.A

d_1	56.11 mm
D_2	77.7 mm
$r_{1,2}$ min.	1.5 mm
d_a min.	49 mm
d_a max.	56 mm
D_a max.	81 mm
r_a max.	1.5 mm
Basic dynamic load rating C	42.3 kN
Basic static load rating C_0	24 kN
Fatigue load limit P_u	1.02 kN
Calculation factor k_r	0.03
Calculation factor f_0	13.2
Mass bearing	0.65 kg