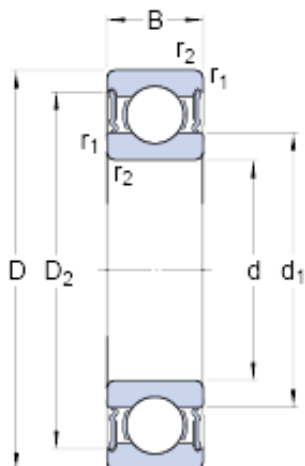




## BEARING ITALIA S.P.A



75 mm x 95 mm x 10 mm skf 61815-2RS1 Deep groove ball bearings

Bearing No. 61815-2RS1

61815-2RS1 Bearing 2D drawings and 3D CAD models

Size	95x75x10 mm
Bore Diameter	95 mm
Outer Diameter	75 mm
Width	10 mm
d	75 mm
D	95 mm
B	10 mm
d <sub>1</sub>	81.7 mm
D <sub>2</sub>	90.7 mm
r <sub>1,2</sub> - min.	1.3 mm
d <sub>a</sub> - min.	78.2 mm
d <sub>a</sub> - max.	81.5 mm
D <sub>a</sub> - max.	91.8 mm
r <sub>a</sub> - max.	0.6 mm
Basic dynamic load rating - C	12.5 kN
Basic static load rating - C <sub>0</sub>	10.8 kN
Fatigue load limit - P <sub>u</sub>	0.585 kN
Limiting speed	4000 r/min
Calculation factor - k <sub>r</sub>	0.015
Calculation factor - f <sub>0</sub>	13.4
Category	Single Row Ball Bearings
Inventory	3.0
Manufacturer Name	SKF
Minimum Buy Quantity	N/A



## BEARING ITALIA S.P.A

Weight / Kilogram	0.166
EAN	7316577100436
Product Group	B00308
Enclosure	2 Seals
Precision Class	ABEC 1   ISO P0
Maximum Capacity / Filling Slot	No
Rolling Element	Ball Bearing
Snap Ring	No
Internal Special Features	No
Cage Material	Steel
Enclosure Type	Contact Seal
Internal Clearance	C0-Medium
Inch - Metric	Metric
Long Description	75MM Bore; 95MM Outside Diameter; 10MM Outer Race Diameter; 2 Seals; Ball Bearing; ABEC 1   ISO P0; No Filling Slot; No Snap Ring; No Internal Special Features
Category	Single Row Ball Bearing
UNSPSC	31171504
Harmonized Tariff Code	8482.10.50.68
Noun	Bearing
Keyword String	Ball
Manufacturer URL	<a href="http://www.skf.com">http://www.skf.com</a>
Manufacturer Item Number	61815 2RS1
Weight / LBS	0.36
Outer Race Width	0.394 Inch   10 Millimeter
Outside Diameter	3.74 Inch   95 Millimeter
Bore	2.953 Inch   75 Millimeter
bore diameter:	75 mm
static load capacity:	14.3 kN



## BEARING ITALIA S.P.A

outside diameter:	95 mm
precision rating:	Not Rated
overall width:	10 mm
finish/coating:	Uncoated
bore type:	Round
cage material:	Steel
closure type:	Double Sealed
outer ring width:	10 mm
row type & fill slot:	Single Row Non-Fill Slot
fillet radius:	0.6 mm
internal clearance:	C0
maximum rpm:	4000 RPM
operating temperature range:	-40 to +210 ° F
series:	61
dynamic load capacity:	12.7 kN
$d_1$	81.7 mm
$D_2$	90.7 mm
$r_{1,2}$ min.	1.3 mm
$d_a$ min.	78.2 mm
$d_a$ max.	81.5 mm
$D_a$ max.	91.8 mm
$r_a$ max.	0.6 mm
Basic dynamic load rating C	12.5 kN
Basic static load rating $C_0$	10.8 kN
Fatigue load limit $P_u$	0.585 kN
Calculation factor $k_r$	0.015
Calculation factor $f_0$	13.4
Mass bearing	0.15 kg