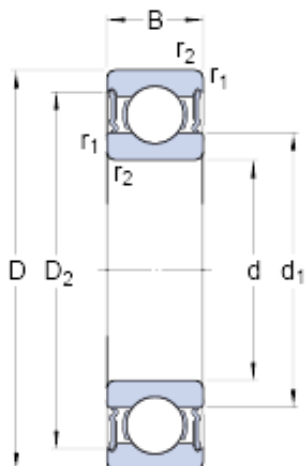




BEARING ITALIA S.P.A



30 mm x 42 mm x 7 mm skf W 61806-2RS1 Deep groove ball bearings

Bearing No. W 61806-2RS1

W 61806-2RS1 Bearing 2D drawings and 3D CAD models

Size	42x30x7 mm
Bore Diameter	42 mm
Outer Diameter	30 mm
Width	7 mm
d	30 mm
D	42 mm
B	7 mm
d ₁	33.11 mm
D ₂	39.2 mm
r _{1,2} - min.	0.3 mm
d _a - min.	32 mm
d _a - max.	33 mm
D _a - max.	40 mm
r _a - max.	0.3 mm
Basic dynamic load rating - C	3.6 kN
Basic static load rating - C ₀	2.9 kN
Fatigue load limit - P _u	0.125 kN
Limiting speed	9500 r/min
Calculation factor - k _r	0.02
Calculation factor - f ₀	14.1
Category	Single Row Ball Bearings
Inventory	0.0
Manufacturer Name	SKF
Minimum Buy Quantity	N/A



BEARING ITALIA S.P.A

Weight / Kilogram	0
EAN	7316572094761
Product Group	B00308
Enclosure	2 Seals
Precision Class	ABEC 1 ISO P0
Maximum Capacity / Filling Slot	No
Rolling Element	Ball Bearing
Snap Ring	No
Internal Special Features	No
Cage Material	Stainless Steel
Enclosure Type	Contact Seal
Internal Clearance	C0-Medium
Inch - Metric	Metric
Long Description	30MM Bore; 42MM Outside Diameter; 7MM Outer Race Width; 2 Seals; Ball Bearing; ABEC 1 ISO P0; No Filling Slot; No Snap Ring; No Internal Special Features; C0-Medium Internal Clearance; Stainless Steel
Other Features	Deep Groove NBR Seal
Category	Single Row Ball Bearing
UNSPSC	31171504
Harmonized Tariff Code	8482.10.50.68
Noun	Bearing
Keyword String	Ball
Manufacturer URL	http://www.skf.com
Manufacturer Item Number	W 61806-2RS1
Weight / LBS	0.054
Inner Race Width	0 Inch 0 Millimeter
Outer Race Width	0.276 Inch 7 Millimeter
Outside Diameter	1.654 Inch 42 Millimeter



BEARING ITALIA S.P.A

Bore	1.181 Inch 30 Millimeter
d_1	33.11 mm
D_2	39.2 mm
$r_{1,2}$ min.	0.3 mm
d_a min.	32 mm
d_a max.	33 mm
D_a max.	40 mm
r_a max.	0.3 mm
Basic dynamic load rating C	3.58 kN
Basic static load rating C_0	2.9 kN
Fatigue load limit P_u	0.125 kN
Calculation factor k_r	0.02
Calculation factor f_0	14.1
Mass bearing	0.024 kg