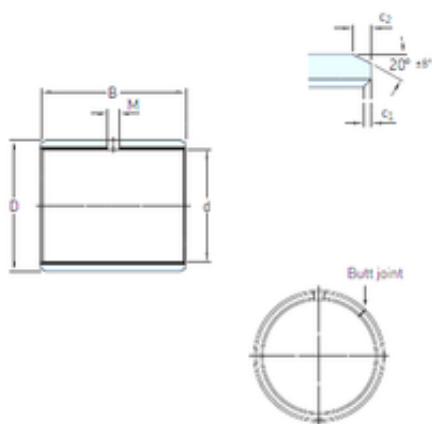




# BEARING ITALIA S.P.A

## 32 mm x 36 mm x 40 mm skf PCM 323640 M Plain bearings, Bushings



Bearing No. PCM 323640 M

Size	32x36x40 mm
Bore Diameter	32 mm
Outer Diameter	36 mm
Width	40 mm
d	32 mm
D	36 mm
B	40 mm
c1 min	0,1 mm
c2 min	0,8 mm
M	4 mm
Weight	0,057 Kg
Basic dynamic load rating (C)	150 kN
c <sub>1</sub> min.	0.1 mm
c <sub>1</sub> max.	0.7 mm
c <sub>2</sub> min.	0.8 mm
c <sub>2</sub> max.	1.6 mm
± 8	20 °
Tolerance shaft	h8
Tolerance housing	H7
Basic dynamic load rating - radial direction C	150 kN
Basic static load rating - radial direction C <sub>0</sub>	315 kN
Specific dynamic load factor K	120 N/mm <sup>2</sup>
Specific static load factor K <sub>0</sub>	250 N/mm <sup>2</sup>

PCM 323640 M Bearing 2D drawings and 3D CAD models



## BEARING ITALIA S.P.A

Factor depending on material and bearing type $K_M$	1900
Permissible sliding velocity $v$ min.	0 m/s
Permissible sliding velocity $v$ max.	2.5 m/s
Coefficient of friction $\mu$ min.	0.02
Coefficient of friction $\mu$ max.	0.2
Mass bushing	0.057 kg