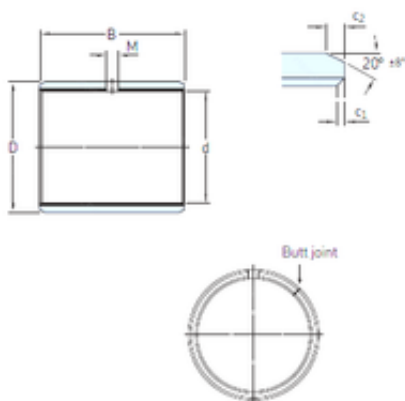




# BEARING ITALIA S.P.A

25,4 mm x 28,575 mm x 25,4 mm skf PCZ 1616  
M Plain bearings, Bushings



Bearing No. PCZ 1616 M

Size	25.4x28.575x25.4 mm
Bore Diameter	25,4 mm
Outer Diameter	28,575 mm
Width	25,4 mm
d	25,4 mm
D	28,575 mm
B	25,4 mm
c1 min	0,1 mm
c2 min	0,2 mm
M	4 mm
Weight	0,022 Kg
Basic dynamic load rating (C)	75 kN
c <sub>1</sub> min.	0.1 mm
c <sub>1</sub> max.	0.7 mm
c <sub>2</sub> min.	0.2 mm
c <sub>2</sub> max.	1 mm
± 8	20 °
Shaft diameter range min.	25.085 mm
Shaft diameter range max.	25.116 mm
Housing bore range min.	28.575 mm
Housing bore range max.	28.595 mm
Basic dynamic load rating - radial direction C	75 kN
Basic static load rating - radial direction C <sub>0</sub>	156 kN

PCZ 1616 M Bearing 2D drawings and 3D CAD models



## BEARING ITALIA S.P.A

Specific dynamic load factor K	120 N/mm <sup>2</sup>
Specific static load factor K <sub>0</sub>	250 N/mm <sup>2</sup>
Factor depending on material and bearing type K <sub>M</sub>	1900
Permissible sliding velocity v min.	0 m/s
Permissible sliding velocity v max.	2.5 m/s
Coefficient of friction $\mu$ min.	0.02
Coefficient of friction $\mu$ max.	0.2
Mass bushing	0.022 kg