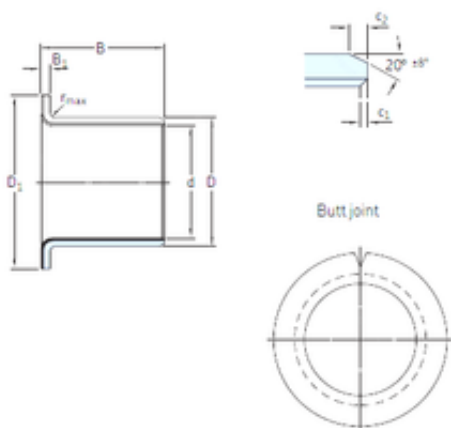




BEARING ITALIA S.P.A

8 mm x 10 mm x 5,5 mm skf PCMF 081005.5 E
Plain bearings, Bushings



Bearing No. PCMF 081005.5 E

Size	8x10x5.5 mm
Bore Diameter	8 mm
Outer Diameter	10 mm
Width	5,5 mm
d	8 mm
D	10 mm
B	5,5 mm
c1 min	0,1 mm
c2 min	0,2 mm
r max	1 mm
B1	1 mm
D1	15 mm
Weight	0,0021 Kg
Dynamic load rating radial (C)	2,24 kN
Dynamic load rating axial (C)	5,1 kN
Static load rating radial (C0)	6,95 kN
Category	Plain Bearings
Inventory	0.0
Manufacturer Name	SKF
Minimum Buy Quantity	N/A
Weight / Kilogram	0.052
Product Group	B04264
D ₁	15 mm
B ₁	1 mm

PCMF 081005.5 E Bearing 2D drawings and 3D CAD models



BEARING ITALIA S.P.A

c ₁ min.	0.1 mm
c ₁ max.	0.7 mm
c ₂ min.	0.2 mm
c ₂ max.	1 mm
± 8	20 °
r max.	1 mm
Tolerance shaft	f7
Tolerance housing	H7
Basic dynamic load rating - radial direction C	2.24 kN
Basic static load rating - radial direction C ₀	6.95 kN
Basic dynamic load rating - axial direction C _a	5.1 kN
Basic static load rating - axial direction C _{0a}	16 kN
Specific dynamic load factor K	80 N/mm ²
Specific static load factor K ₀	250 N/mm ²
Factor depending on material and bearing type K _M	480
Permissible sliding velocity v min.	0 m/s
Permissible sliding velocity v max.	2 m/s
Coefficient of friction μ min.	0.03
Coefficient of friction μ max.	0.25
Mass bushing	0.0021 kg