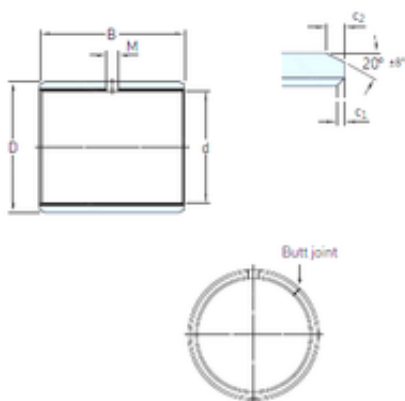




# BEARING ITALIA S.P.A



88,9 mm x 93,663 mm x 63,5 mm skf PCZ 5640  
E Plain bearings, Bushings

Bearing No. PCZ 5640 E

Size	88.9x93.663x63.5 mm
Bore Diameter	88,9 mm
Outer Diameter	93,663 mm
Width	63,5 mm
d	88,9 mm
D	93,663 mm
B	63,5 mm
c1 min	0,2 mm
c2 min	1,2 mm
M	– mm
Weight	0,33 Kg
Basic dynamic load rating (C)	440 kN
c <sub>1</sub> min.	0.2 mm
c <sub>1</sub> max.	1 mm
c <sub>2</sub> min.	1.2 mm
c <sub>2</sub> max.	2.4 mm
± 8	20 °
Shaft diameter range min.	88.844 mm
Shaft diameter range max.	88.9 mm
Housing bore range min.	93.619 mm
Housing bore range max.	93.655 mm
Basic dynamic load rating - radial direction C	440 kN
Basic static load rating - radial direction C <sub>0</sub>	1370 kN

PCZ 5640 E Bearing 2D drawings and 3D CAD models



## BEARING ITALIA S.P.A

Specific dynamic load factor K	80 N/mm <sup>2</sup>
Specific static load factor K <sub>0</sub>	250 N/mm <sup>2</sup>
Factor depending on material and bearing type K <sub>M</sub>	480
Permissible sliding velocity v min.	0 m/s
Permissible sliding velocity v max.	2 m/s
Coefficient of friction $\mu$ min.	0.03
Coefficient of friction $\mu$ max.	0.25
Mass bushing	0.33 kg