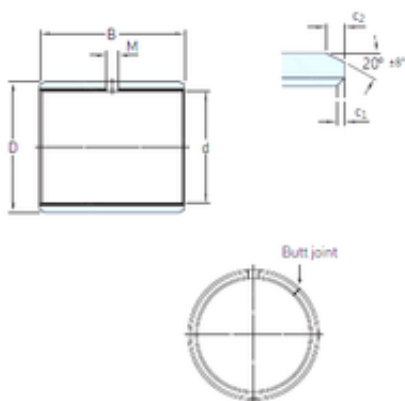




# BEARING ITALIA S.P.A



50,8 mm x 55,563 mm x 50,8 mm skf PCZ 3232  
E Plain bearings, Bushings

Bearing No. PCZ 3232 E

PCZ 3232 E Bearing 2D drawings and 3D CAD models

Size	50.8x55.563x50.8 mm
Bore Diameter	50,8 mm
Outer Diameter	55,563 mm
Width	50,8 mm
d	50,8 mm
D	55,563 mm
B	50,8 mm
c1 min	0,2 mm
c2 min	1,2 mm
M	– mm
Weight	0,155 Kg
Basic dynamic load rating (C)	204 kN
c <sub>1</sub> min.	0.2 mm
c <sub>1</sub> max.	1 mm
c <sub>2</sub> min.	1.2 mm
c <sub>2</sub> max.	2.4 mm
± 8	20 °
Shaft diameter range min.	50.721 mm
Shaft diameter range max.	50.767 mm
Housing bore range min.	55.552 mm
Housing bore range max.	55.583 mm
Basic dynamic load rating - radial direction C	204 kN
Basic static load rating - radial direction C <sub>0</sub>	640 kN



## BEARING ITALIA S.P.A

Specific dynamic load factor $K$	80 N/mm <sup>2</sup>
Specific static load factor $K_0$	250 N/mm <sup>2</sup>
Factor depending on material and bearing type $K_M$	480
Permissible sliding velocity $v$ min.	0 m/s
Permissible sliding velocity $v$ max.	2 m/s
Coefficient of friction $\mu$ min.	0.03
Coefficient of friction $\mu$ max.	0.25
Mass bushing	0.15 kg