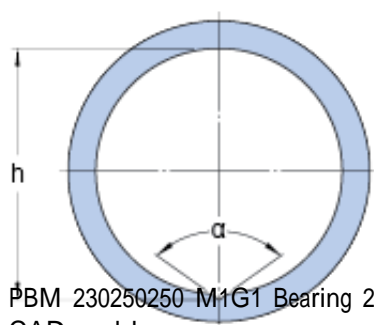
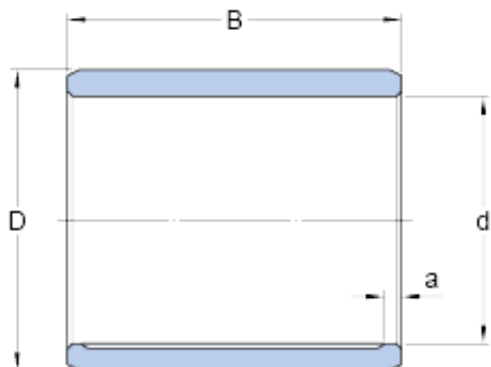




# BEARING ITALIA S.P.A



PBM 230250250 M1G1 Bearing 2D drawings and 3D CAD models

230 mm x 250 mm x 250 mm skf PBM  
230250250 M1G1 Plain bearings, Bushings

Bearing No. PBM 230250250 M1G1

d	230 mm
D	250 mm
B	250 mm
a	12.5 mm
h	232.5 mm
	124 °
Tolerance shaft	e7
Tolerance housing	H7
Specific dynamic load factor K	25 N/mm <sup>2</sup>
Specific static load factor K <sub>0</sub>	45 N/mm <sup>2</sup>
Permissible sliding velocity v min.	0 m/s
Permissible sliding velocity v max.	0.5 m/s
Coefficient of friction μ min.	0.08
Coefficient of friction μ max.	0.15
Mass bushing	16.6 kg