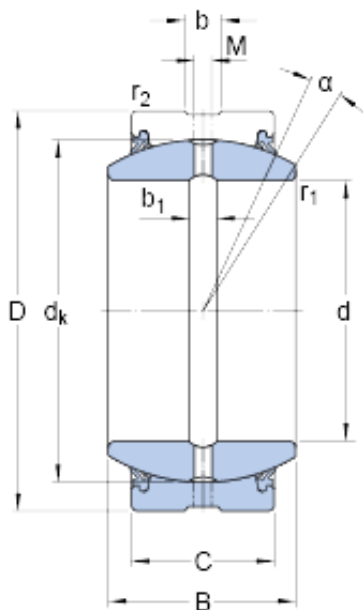




## BEARING ITALIA S.P.A

114.3 mm x 177.8 mm x 100 mm skf GEZ 408  
ES-2RS Radial spherical plain bearings

Bearing No. GEZ 408 ES-2RS



GEZ 408 ES-2RS Bearing 2D drawings and 3D CAD models

Size	177.8x114.3x100 mm
Bore Diameter	177,8 mm
Outer Diameter	114,3 mm
Width	100 mm
d	114.3 mm
D	177.8 mm
B	100 mm
C	85.725 mm
	6 °
d <sub>k</sub>	164.465 mm
b	11 mm
b <sub>1</sub>	10 mm
M	8 mm
r <sub>1</sub> - min.	1 mm
r <sub>2</sub> - min.	1.1 mm
d <sub>a</sub> - min.	122.5 mm
d <sub>a</sub> - max.	130.5 mm
D <sub>a</sub> - min.	157 mm
D <sub>a</sub> - max.	171 mm
r <sub>a</sub> - max.	1 mm
r <sub>b</sub> - max.	1.1 mm
Basic dynamic load rating - C	1120 kN
Basic static load rating - C <sub>0</sub>	3400 kN
Specific factor dinamic load - K	100 N/mm <sup>2</sup>



## BEARING ITALIA S.P.A

Specific factor static load - $K_0$	300 N/mm <sup>2</sup>
Constant - $K_M$	330
Category	Spherical Plain Bearings - Radial
Inventory	0.0
Manufacturer Name	SKF
Minimum Buy Quantity	N/A
Weight / Kilogram	9.81
EAN	7316576612480
Product Group	B04264
Self Aligning	Yes
Rolling Element	Spherical Plain
Material - Outer Member	Steel
Material - Ball	Steel
Material - Liner	Not Applicable
Relubricatable	Yes
Enclosure	2 Seals
Other Features	2 Piece   Double Lip Seals   Lubrication Hole and an Annular Groove in Both Rings
Long Description	4-1/2" Bore; 3-3/8" Housing Width; 7" Outside Diameter; Steel Outer Member; Steel Ball; No Liner; 3-15/16" Overall Width; Relubricatable
Inch - Metric	Inch
Category	Plain Bearings Spherical Radial
UNSPSC	31171515
Harmonized Tariff Code	8483.30.80.70
Noun	Bearing
Keyword 3	Spherical



## BEARING ITALIA S.P.A

Keyword String	Plain Spherical Radial
Manufacturer URL	<a href="http://www.skf.com">http://www.skf.com</a>
Manufacturer Item Number	GEZ 408 ES-2RS
Weight / LBS	21.6
Outside Diameter	7 Inch   177.8 Millimeter
Housing Width	3.375 Inch   85.725 Millimeter
Bore	4.5 Inch   114.3 Millimeter
Overall Width	3.937 Inch   100 Millimeter
bore diameter:	4.5000 in
inner ring material:	Chrome Steel
outside diameter:	7.0000 in
outer ring width:	85.73 mm
misalignment angle:	6 °
grade:	Commercial/Industrial
inner ring width:	100 mm
radial static load capacity:	3400 kN
bearing type:	Radial
radial dynamic load capacity:	1120 kN
lubrication type:	Requires Lubrication
operating temperature range:	-30 to +130 ° C ° F
closure type:	Sealed
overall width:	100 mm
outer ring material:	Chrome Steel
manufacturer upc number:	7316576612480
Lubricant	Regular relubrication – grease
Design (sliding contact surface combination)	Steel/steel
Sealing solution	Double-lip seals
	6 °
d <sub>k</sub>	164.465 mm



## BEARING ITALIA S.P.A

$b_1$	10 mm
$r_1$ min.	1 mm
$r_2$ min.	1.1 mm
$d_a$ min.	122.5 mm
$d_a$ max.	130.5 mm
$D_a$ min.	157 mm
$D_a$ max.	171 mm
$r_a$ max.	1 mm
$r_b$ max.	1.1 mm
Basic dynamic load rating C	1120 kN
Basic static load rating $C_0$	3400 kN
Specific dynamic load factor K	100 N/mm <sup>2</sup>
Specific static load factor $K_0$	300 N/mm <sup>2</sup>
Material constant $K_M$	330
Mass plain bearing	9.8 kg