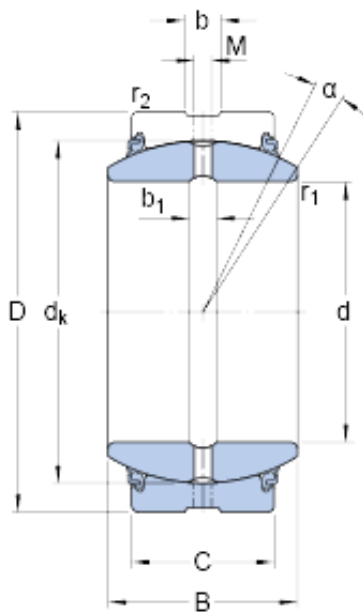




## BEARING ITALIA S.P.A

76.2 mm x 120.65 mm x 66.675 mm skf GEZ  
300 ESX-2LS Radial spherical plain bearings

Bearing No. GEZ 300 ESX-2LS



GEZ 300 ESX-2LS Bearing 2D drawings and 3D CAD models

Size	120.65x76.2x66.675 mm
Bore Diameter	120,65 mm
Outer Diameter	76,2 mm
Width	66,675 mm
d	76.2 mm
D	120.65 mm
B	66.675 mm
C	57.15 mm
	6 °
d <sub>k</sub>	109.525 mm
b	9 mm
b <sub>1</sub>	8 mm
M	6.5 mm
r <sub>1</sub> - min.	0.6 mm
r <sub>2</sub> - min.	1 mm
d <sub>a</sub> - min.	81.4 mm
d <sub>a</sub> - max.	86.9 mm
D <sub>a</sub> - min.	104.8 mm
D <sub>a</sub> - max.	115 mm
r <sub>a</sub> - max.	0.6 mm
r <sub>b</sub> - max.	1 mm
Basic dynamic load rating - C	750 kN
Basic static load rating - C <sub>0</sub>	1500 kN
Specific factor dinamic load - K	150 N/mm <sup>2</sup>



## BEARING ITALIA S.P.A

Specific factor static load - $K_0$	300 N/mm <sup>2</sup>
Constant - $K_M$	330
Lubricant	Maintenance free – greased for life
Design (sliding contact surface combination)	Steel/steel
Sealing solution	Triple-lip seals
	6 °
$d_k$	109.525 mm
$b_1$	8 mm
$r_1$ min.	0.6 mm
$r_2$ min.	1 mm
$d_a$ min.	81.4 mm
$d_a$ max.	86.9 mm
$D_a$ min.	104.8 mm
$D_a$ max.	115 mm
$r_a$ max.	0.6 mm
$r_b$ max.	1 mm
Basic dynamic load rating C	750 kN
Basic static load rating $C_0$	1500 kN
Specific dynamic load factor K	150 N/mm <sup>2</sup>
Specific static load factor $K_0$	300 N/mm <sup>2</sup>
Material constant $K_M$	330
Mass plain bearing	3.1 kg