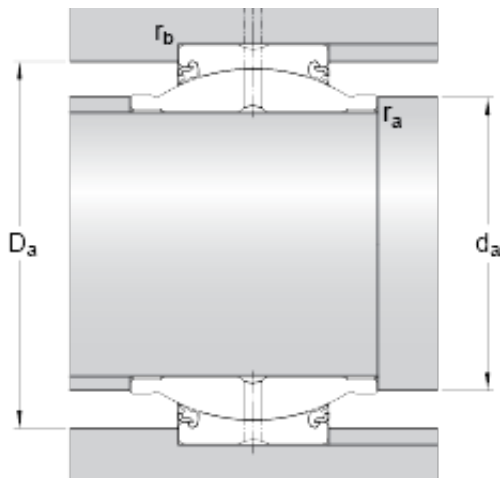




BEARING ITALIA S.P.A



70 mm x 105 mm x 65 mm skf GEM 70 ESL-2LS Radial spherical plain bearings

Bearing No. GEM 70 ESL-2LS

Lubricant	Regular relubrication – grease
Design (sliding contact surface combination)	Steel/steel, heavy-duty bearing
Sealing solution	Triple-lip seals
d	70 mm
D	105 mm
B	65 mm
C	40 mm
	4 °
d _k	92 mm
d ₁	78 mm
b	7.7 mm
b ₁	7.7 mm
M	4 mm
r ₁ min.	0.6 mm
r ₂ min.	1 mm
d _a min.	75.7 mm
d _a max.	78 mm
D _a min.	92 mm
D _a max.	99 mm
r _a max.	0.6 mm
r _b max.	1 mm
Basic dynamic load rating C	315 kN
Basic static load rating C ₀	1560 kN
Specific dynamic load factor	100 N/mm ²

GEM 70 ESL-2LS Bearing 2D drawings and 3D CAD models



BEARING ITALIA S.P.A

K	
Specific static load factor K_0	500 N/mm ²
Material constant K_M	330
Mass plain bearing	1.65 kg