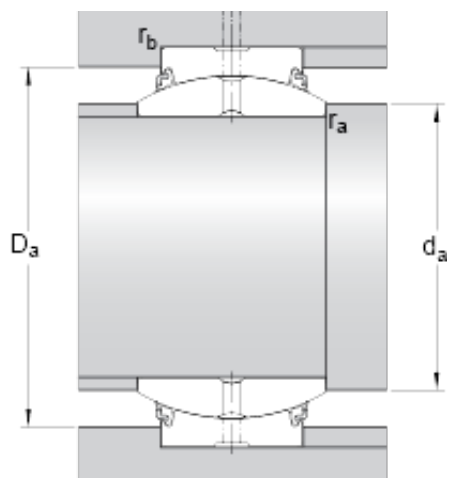




## BEARING ITALIA S.P.A



63.5 mm x 100.013 mm x 55.55 mm skf GEZ  
208 ESX-2LS Radial spherical plain bearings

Bearing No. GEZ 208 ESX-2LS

GEZ 208 ESX-2LS Bearing 2D drawings and 3D CAD models

Lubricant	Maintenance free – greased for life
Design (sliding contact surface combination)	Steel/steel
Sealing solution	Triple-lip seals
d	63.5 mm
D	100.013 mm
B	55.55 mm
C	47.625 mm
	6 °
d <sub>k</sub>	91.186 mm
b	9 mm
b <sub>1</sub>	8 mm
M	6.5 mm
r <sub>1</sub> min.	0.6 mm
r <sub>2</sub> min.	1 mm
d <sub>a</sub> min.	68.3 mm
d <sub>a</sub> max.	72.3 mm
D <sub>a</sub> min.	87 mm
D <sub>a</sub> max.	94.7 mm
r <sub>a</sub> max.	0.6 mm
r <sub>b</sub> max.	1 mm
Basic dynamic load rating C	520 kN
Basic static load rating C <sub>0</sub>	1040 kN
Specific dynamic load factor K	150 N/mm <sup>2</sup>



## BEARING ITALIA S.P.A

Specific static load factor $K_0$	300 N/mm <sup>2</sup>
Material constant $K_M$	330
Mass plain bearing	1.85 kg