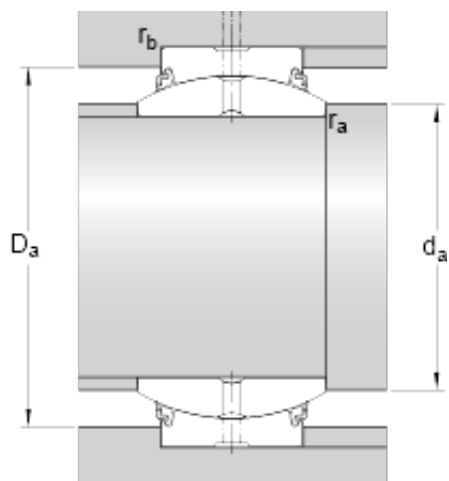




## BEARING ITALIA S.P.A



120.65 mm x 187.325 mm x 105.562 mm skf  
GEZ 412 ES-2LS Radial spherical plain bearings

Bearing No. GEZ 412 ES-2LS

GEZ 412 ES-2LS Bearing 2D drawings and 3D CAD models

Lubricant	Regular relubrication – grease
Design (sliding contact surface combination)	Steel/steel
Sealing solution	Triple-lip seals
d	120.65 mm
D	187.325 mm
B	105.562 mm
C	90.475 mm
	6 °
d <sub>k</sub>	173.355 mm
b	11 mm
b <sub>1</sub>	10 mm
M	8 mm
r <sub>1</sub> min.	1 mm
r <sub>2</sub> min.	1.1 mm
d <sub>a</sub> min.	129 mm
d <sub>a</sub> max.	137.5 mm
D <sub>a</sub> min.	166.5 mm
D <sub>a</sub> max.	179 mm
r <sub>a</sub> max.	1 mm
r <sub>b</sub> max.	1.1 mm
Basic dynamic load rating C	1250 kN
Basic static load rating C <sub>0</sub>	3750 kN
Specific dynamic load factor K	100 N/mm <sup>2</sup>



## BEARING ITALIA S.P.A

Specific static load factor $K_0$	300 N/mm <sup>2</sup>
Material constant $K_M$	330
Mass plain bearing	11.5 kg