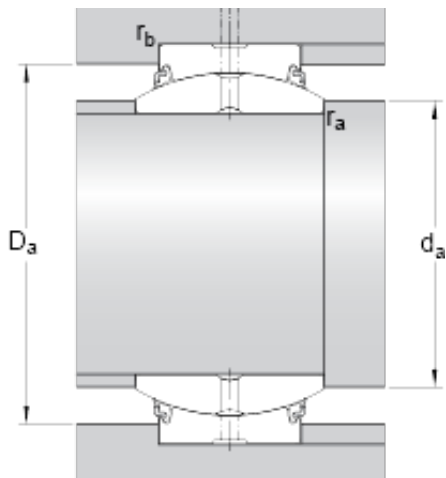




BEARING ITALIA S.P.A



152.4 mm x 222.25 mm x 120.65 mm skf GEZ
600 ESL-2LS Radial spherical plain bearings

Bearing No. GEZ 600 ESL-2LS

GEZ 600 ESL-2LS Bearing 2D drawings and 3D CAD models

Lubricant	Regular relubrication – grease
Design (sliding contact surface combination)	Steel/steel, heavy-duty bearing
Sealing solution	Triple-lip seals
d	152.4 mm
D	222.25 mm
B	120.65 mm
C	104.775 mm
	5 °
d _k	207.162 mm
b	15 mm
b ₁	11 mm
M	8 mm
r ₁ min.	1 mm
r ₂ min.	1.1 mm
d _a min.	161 mm
d _a max.	168 mm
D _a min.	197.5 mm
D _a max.	213.5 mm
r _a max.	1 mm
r _b max.	1.1 mm
Basic dynamic load rating C	1730 kN
Basic static load rating C ₀	5200 kN
Specific dynamic load factor K	100 N/mm ²



BEARING ITALIA S.P.A

Specific static load factor K_0	300 N/mm ²
Material constant K_M	330
Mass plain bearing	17.5 kg