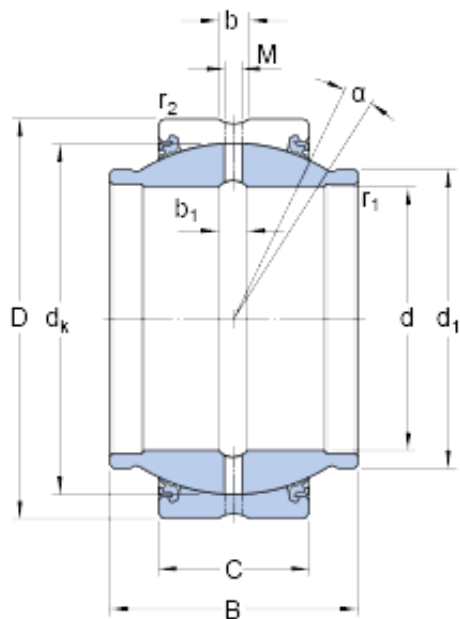




BEARING ITALIA S.P.A

25.4 mm x 41.275 mm x 38.1 mm skf GEZM 100 ES-2LS Radial spherical plain bearings

Bearing No. GEZM 100 ES-2LS



GEZM 100 ES-2LS Bearing 2D drawings and 3D CAD models

Size	41.275x25.4x38.1 mm
Bore Diameter	41,275 mm
Outer Diameter	25,4 mm
Width	38,1 mm
d	25.4 mm
D	41.275 mm
B	38.1 mm
C	19.05 mm
	5 °
d _k	36.5 mm
d ₁	30.988 mm
b	3.2 mm
b ₁	3 mm
M	2.5 mm
r ₁ - min.	0.6 mm
r ₂ - min.	1 mm
d _a - min.	28.2 mm
d _a - max.	31 mm
D _a - min.	35.2 mm
D _a - max.	37.7 mm
r _a - max.	0.6 mm
r _b - max.	1 mm
Basic dynamic load rating - C	56 kN
Basic static load rating - C ₀	166 kN



BEARING ITALIA S.P.A

Specific factor dynamic load - K	100 N/mm ²
Specific factor static load - K ₀	300 N/mm ²
Constant - K _M	330
Lubricant	Regular relubrication – grease
Design (sliding contact surface combination)	Steel/steel
Sealing solution	Triple-lip seals
	5 °
d _k	36.5 mm
d ₁	30.988 mm
b ₁	3 mm
r ₁ min.	0.6 mm
r ₂ min.	1 mm
d _a min.	28.2 mm
d _a max.	31 mm
D _a min.	35.2 mm
D _a max.	37.7 mm
r _a max.	0.6 mm
r _b max.	1 mm
Basic dynamic load rating C	56 kN
Basic static load rating C ₀	166 kN
Specific dynamic load factor K	100 N/mm ²
Specific static load factor K ₀	300 N/mm ²
Material constant K _M	330
Mass plain bearing	0.15 kg