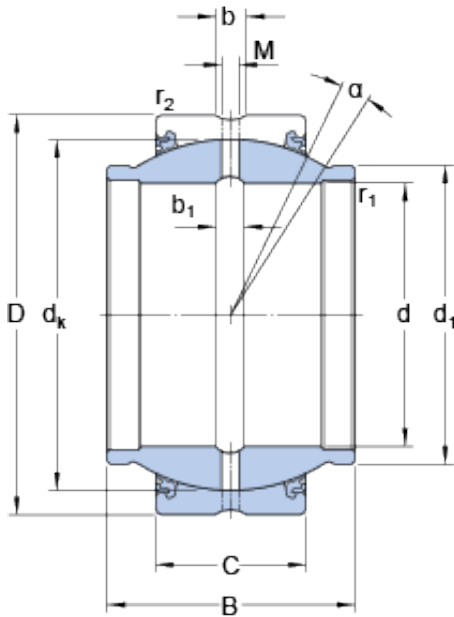




BEARING ITALIA S.P.A

127 mm x 196.85 mm x 190.5 mm skf GEZM
500 ESX-2LS Radial spherical plain bearings



GEZM 500 ESX-2LS Bearing 2D drawings and 3D CAD models

Bearing No. GEZM 500 ESX-2LS

Size	127x196.85x190.5 mm
Bore Diameter	127 mm
Outer Diameter	196,85 mm
Width	190,5 mm
d	127 mm
D	196.85 mm
B	190.5 mm
C	95.25 mm
	5 °
d _k	182.626 mm
d ₁	155.702 mm
b	11 mm
b ₁	10 mm
M	8 mm
r ₁ - min.	2 mm
r ₂ - min.	1.1 mm
d _a - min.	138.5 mm
d _a - max.	155.7 mm
D _a - min.	175.5 mm
D _a - max.	188.5 mm
r _a - max.	2 mm
r _b - max.	1.1 mm
Basic dynamic load rating - C	2080 kN
Basic static load rating - C ₀	4150 kN



BEARING ITALIA S.P.A

Specific factor dinamic load - K	150 N/mm ²
Specific factor static load - K ₀	300 N/mm ²
Constant - K _M	330
Size	196.85x127x190.5 mm
Bore Diameter	196,85 mm
Outer Diameter	127 mm
Width	190,5 mm
d	127 mm
D	196.85 mm
B	190.5 mm
C	95.25 mm
	5 °
d _k	182.626 mm
d ₁	155.702 mm
b	11 mm
b ₁	10 mm
M	8 mm
r ₁ - min.	2 mm
r ₂ - min.	1.1 mm
d _a - min.	138.5 mm
d _a - max.	155.7 mm
D _a - min.	175.5 mm
D _a - max.	188.5 mm
r _a - max.	2 mm
r _b - max.	1.1 mm
Basic dynamic load rating - C	2080 kN
Basic static load rating - C ₀	4150 kN
Specific factor dinamic load - K	150 N/mm ²



BEARING ITALIA S.P.A

Specific factor static load - K_0	300 N/mm ²
Constant - K_M	330
Lubricant	Maintenance free – greased for life
Design (sliding contact surface combination)	Steel/steel
Sealing solution	Triple-lip seals
	5 °
d_k	182.626 mm
d_1	155.702 mm
b_1	10 mm
r_1 min.	2 mm
r_2 min.	1.1 mm
d_a min.	138.5 mm
d_a max.	155.7 mm
D_a min.	175.5 mm
D_a max.	188.5 mm
r_a max.	2 mm
r_b max.	1.1 mm
Basic dynamic load rating C	2080 kN
Basic static load rating C_0	4150 kN
Specific dynamic load factor K	150 N/mm ²
Specific static load factor K_0	300 N/mm ²
Material constant K_M	330
Mass plain bearing	17.5 kg