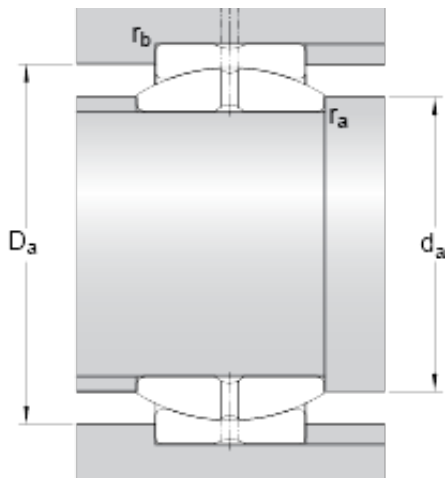




BEARING ITALIA S.P.A



120.65 mm x 187.325 mm x 105.562 mm skf
GEZ 412 ES Radial spherical plain bearings

Bearing No. GEZ 412 ES

Lubricant	Regular relubrication – grease
Design (sliding contact surface combination)	Steel/steel
Sealing solution	-
d	120.65 mm
D	187.325 mm
B	105.562 mm
C	90.475 mm
	6 °
d _k	173.355 mm
b	11 mm
b ₁	10 mm
M	8 mm
r ₁ min.	1 mm
r ₂ min.	1.1 mm
d _a min.	129 mm
d _a max.	137.5 mm
D _a min.	165 mm
D _a max.	179 mm
r _a max.	1 mm
r _b max.	1.1 mm
Basic dynamic load rating C	1250 kN
Basic static load rating C ₀	3750 kN
Specific dynamic load factor K	100 N/mm ²

GEZ 412 ES Bearing 2D drawings and 3D CAD models



BEARING ITALIA S.P.A

Specific static load factor K_0	300 N/mm ²
Material constant K_M	330
Mass plain bearing	11.5 kg