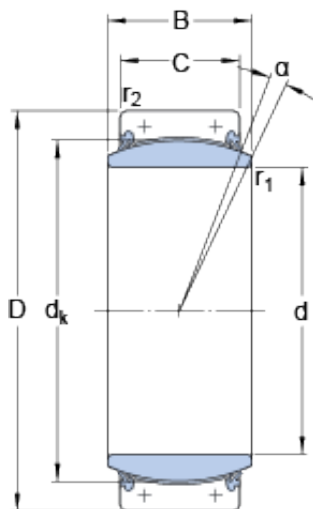




## BEARING ITALIA S.P.A

### 710 mm x 950 mm x 325 mm skf GEC 710 TXA-2RS Radial spherical plain bearings

Bearing No. GEC 710 TXA-2RS



GEC 710 TXA-2RS Bearing 2D drawings and 3D CAD models

Size	950x710x325 mm
Bore Diameter	950 mm
Outer Diameter	710 mm
Width	325 mm
d	710 mm
D	950 mm
B	325 mm
C	275 mm
	3 °
r <sub>1</sub> - min.	3 mm
r <sub>2</sub> - min.	6 mm
d <sub>a</sub> - min.	744 mm
d <sub>a</sub> - max.	763 mm
D <sub>a</sub> - min.	821 mm
D <sub>a</sub> - max.	901 mm
r <sub>a</sub> - max.	3 mm
r <sub>b</sub> - max.	6 mm
Basic dynamic load rating - C	62000 kN
Basic static load rating - C <sub>0</sub>	102000 kN
Specific factor dynamic load - K	300 N/mm <sup>2</sup>
Specific factor static load - K <sub>0</sub>	500 N/mm <sup>2</sup>
Lubricant	Maintenance free – dry lubrication



## BEARING ITALIA S.P.A

Design (sliding contact surface combination)	Steel/PTFE fabric
Sealing solution	Double-lip seals
	3 °
$d_k$	830 mm
$r_1$ min.	3 mm
$r_2$ min.	6 mm
$d_a$ min.	744 mm
$d_a$ max.	763 mm
$D_a$ min.	821 mm
$D_a$ max.	901 mm
$r_a$ max.	3 mm
$r_b$ max.	6 mm
Basic dynamic load rating C	62000 kN
Basic static load rating $C_0$	102000 kN
Specific dynamic load factor K	300 N/mm <sup>2</sup>
Specific static load factor $K_0$	500 N/mm <sup>2</sup>
Mass plain bearing	692 kg