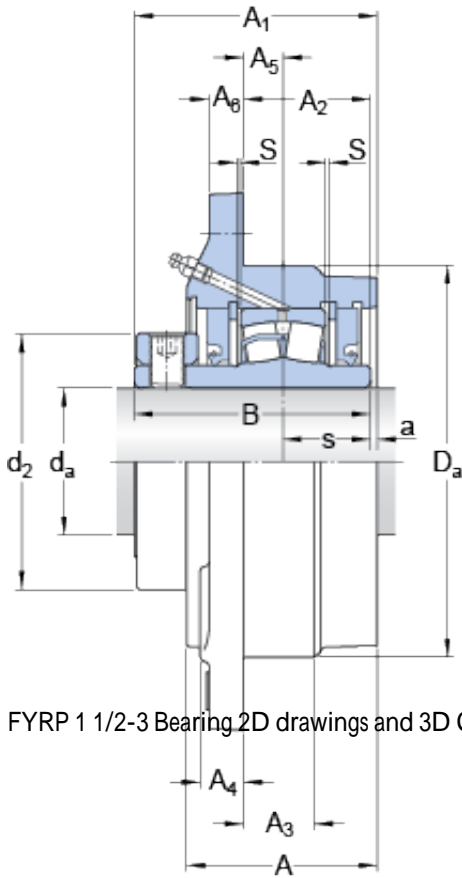




BEARING ITALIA S.P.A

skf FYRP 1 1/2-3 Roller bearing piloted flanged units for inch shafts

Bearing No. FYRP 1 1/2-3



FYRP 1 1/2-3 Bearing 2D drawings and 3D CAD models

Size	38.1x62.706x92.075 mm
Bore Diameter	38,1 mm
Outer Diameter	62,706 mm
Width	92,075 mm
d_a	38.1 mm
d_2	62.706 mm
D_a	92.075 mm
A	57.15 mm
A_1	72.628 mm
A_2	35.322 mm
A_3	19.05 mm
A_4	18.256 mm
A_5	10.716 mm
A_6	12.7 mm
B	69.85 mm
a	3.572 mm
J	111.125 mm
L	133.35 mm
N_1	11.112 mm
s	25.4 mm
S	0.794 mm
Basic dynamic load rating - C	73.8 kN
Limiting speed	1700 r/min



BEARING ITALIA S.P.A

d_a	38.1 mm
d_2	62.706 mm
D_a	92.075 mm
A_1	72.628 mm
A_2	35.322 mm
A_3	19.05 mm
A_4	18.256 mm
A_5	10.716 mm
A_6	12.7 mm
N_1	11.113 mm
Basic dynamic load rating C	73.8 kN
Mass bearing unit	2.86 kg
Attachment bolt diameter G	9.525 mm