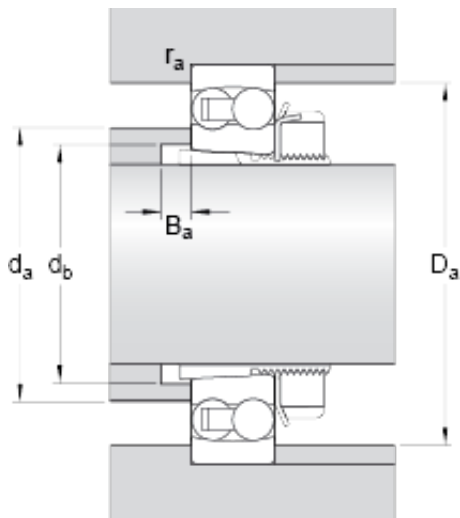




BEARING ITALIA S.P.A

20 mm x 52 mm x 15 mm skf 1205 EKTN9 + H
205 Self-aligning ball bearings

Bearing No. 1205 EKTN9 + H 205



1205 EKTN9 + H 205 Bearing 2D drawings and 3D
CAD models

d	20 mm
D	52 mm
B	15 mm
B_1	26 mm
d_3	38 mm
D_1	44.6 mm
B_4	8 mm
$r_{1,2}$ min.	1 mm
d_a max.	33 mm
d_b min.	28 mm
D_a max.	46.4 mm
B_a min.	5 mm
r_a max.	1 mm
Basic dynamic load rating C	14.3 kN
Basic static load rating C_0	4 kN
Fatigue load limit P_u	0.21 kN
Reference speed	28000 r/min
Limiting speed	18000 r/min
Permissible angular misalignment	2.5 °
Calculation factor k_r	0.04
Calculation factor e	0.28
Calculation factor Y_0	2.5
Calculation factor Y_1	2.2
Calculation factor Y_2	3.5
Mass bearing + adapter	0.21 kg



BEARING ITALIA S.P.A

sleeve	
--------	--