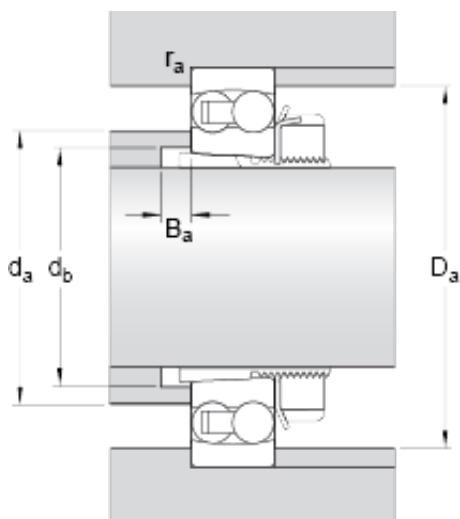




BEARING ITALIA S.P.A

50 mm x 100 mm x 25 mm skf 2211 EKTN9 + H 311 Self-aligning ball bearings

Bearing No. 2211 EKTN9 + H 311



2211 EKTN9 + H 311 Bearing 2D drawings and 3D CAD models

d	50 mm
D	100 mm
B	25 mm
B_1	45 mm
d_3	75 mm
D_1	87.8 mm
B_4	12.5 mm
$r_{1,2}$ min.	1.5 mm
d_a max.	67 mm
d_b min.	60 mm
D_a max.	91 mm
B_a min.	11 mm
r_a max.	1.5 mm
Basic dynamic load rating C	39 kN
Basic static load rating C_0	13.4 kN
Fatigue load limit P_u	0.7 kN
Reference speed	12000 r/min
Limiting speed	8500 r/min
Permissible angular misalignment	2.5 °
Calculation factor k_r	0.045
Calculation factor e	0.23
Calculation factor Y_0	2.8
Calculation factor Y_1	2.7
Calculation factor Y_2	4.2
Mass bearing + adapter	1.15 kg



BEARING ITALIA S.P.A

sleeve	
--------	--