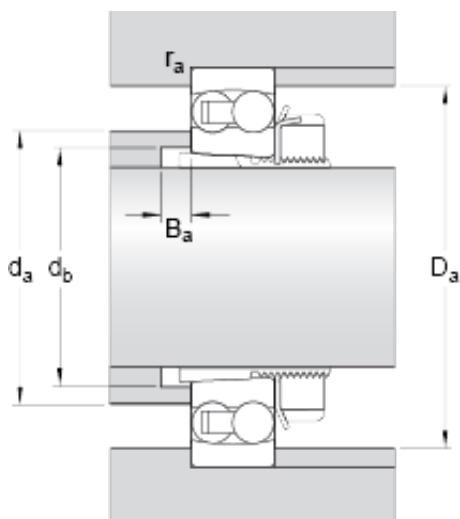




BEARING ITALIA S.P.A

50 mm x 120 mm x 29 mm skf 1311 EKTN9 + H
311 Self-aligning ball bearings

Bearing No. 1311 EKTN9 + H 311



1311 EKTN9 + H 311 Bearing 2D drawings and 3D
CAD models

d	50 mm
D	120 mm
B	29 mm
B ₁	45 mm
d ₃	75 mm
D ₁	101.4 mm
B ₄	12.5 mm
r _{1,2} min.	2 mm
d _a max.	77 mm
d _b min.	60 mm
D _a max.	109 mm
B _a min.	7 mm
r _a max.	2 mm
Basic dynamic load rating C	50.7 kN
Basic static load rating C ₀	18 kN
Fatigue load limit P _u	0.92 kN
Reference speed	11000 r/min
Limiting speed	7500 r/min
Permissible angular misalignment	3 °
Calculation factor k _r	0.04
Calculation factor e	0.23
Calculation factor Y ₀	2.8
Calculation factor Y ₁	2.7
Calculation factor Y ₂	4.2
Mass bearing + adapter	1.9 kg



BEARING ITALIA S.P.A

sleeve	
--------	--