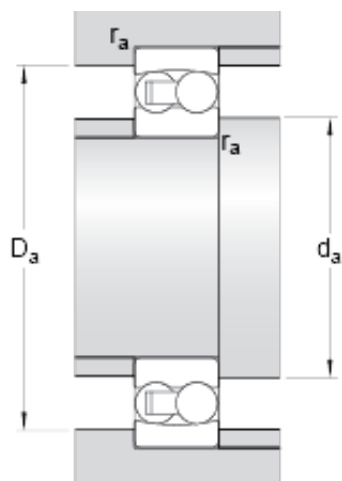




BEARING ITALIA S.P.A



12 mm x 37 mm x 12 mm skf 1301 EM Self-aligning ball bearings

Bearing No. 1301 EM

d	12 mm
D	37 mm
B	12 mm
d ₁	20.2 mm
D ₁	29.5 mm
r _{1,2} min.	1 mm
d _a min.	17.6 mm
D _a max.	31.4 mm
r _a max.	1 mm
Basic dynamic load rating C	9.36 kN
Basic static load rating C ₀	2.16 kN
Fatigue load limit P _u	0.12 kN
Reference speed	40000 r/min
Limiting speed	28000 r/min
Permissible angular misalignment	3 °
Calculation factor k _r	0.04
Calculation factor e	0.35
Calculation factor Y ₀	1.8
Calculation factor Y ₁	1.8
Calculation factor Y ₂	2.8
Mass bearing	0.073 kg

1301 EM Bearing 2D drawings and 3D CAD models