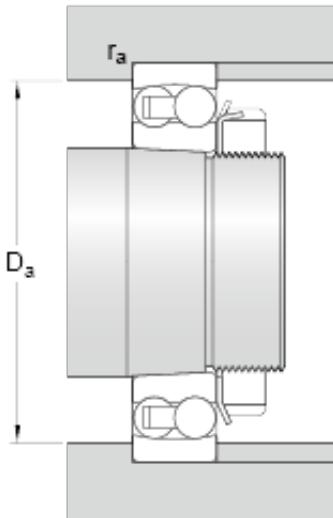




## BEARING ITALIA S.P.A



2305 EKTN9 Bearing 2D drawings and 3D CAD models

25 mm x 62 mm x 24 mm skf 2305 EKTN9 Self-aligning ball bearings

Bearing No. 2305 EKTN9

d	25 mm
D	62 mm
B	24 mm
d <sub>1</sub>	35.5 mm
D <sub>1</sub>	52.3 mm
r <sub>1,2</sub> min.	1.1 mm
D <sub>a</sub> max.	55 mm
r <sub>a</sub> max.	1.1 mm
Basic dynamic load rating C	27 kN
Basic static load rating C <sub>0</sub>	7.1 kN
Fatigue load limit P <sub>u</sub>	0.37 kN
Reference speed	22000 r/min
Limiting speed	16000 r/min
Permissible angular misalignment	3 °
Calculation factor k <sub>r</sub>	0.05
Calculation factor e	0.44
Calculation factor Y <sub>0</sub>	1.4
Calculation factor Y <sub>1</sub>	1.4
Calculation factor Y <sub>2</sub>	2.2
Mass bearing	0.34 kg