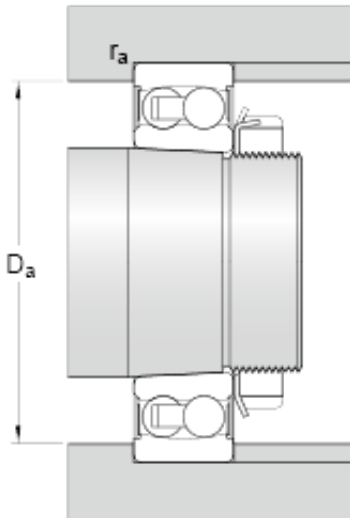




## BEARING ITALIA S.P.A



50 mm x 110 mm x 40 mm skf 2310  
E-2RS1KTN9 Self-aligning ball bearings

Bearing No. 2310 E-2RS1KTN9

2310 E-2RS1KTN9 Bearing 2D drawings and 3D CAD models

d	50 mm
D	110 mm
B	40 mm
d <sub>2</sub>	62.9 mm
D <sub>2</sub>	95.2 mm
r <sub>1,2</sub> min.	2 mm
D <sub>a</sub> max.	99 mm
r <sub>a</sub> max.	2 mm
Basic dynamic load rating C	43.6 kN
Basic static load rating C <sub>0</sub>	14 kN
Fatigue load limit P <sub>u</sub>	0.72 kN
Limiting speed	4000 r/min
Permissible angular misalignment	1.5 °
Calculation factor k <sub>r</sub>	0.05
Calculation factor e	0.24
Calculation factor Y <sub>0</sub>	2.8
Calculation factor Y <sub>1</sub>	2.6
Calculation factor Y <sub>2</sub>	4.1
Mass bearing	1.65 kg