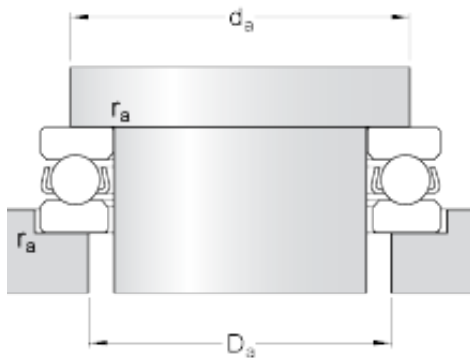




BEARING ITALIA S.P.A



skf 59192 F Single direction thrust ball bearings

Bearing No. 59192 F

d	460 mm
D	560 mm
H	60 mm
d ₁	556 mm
D ₁	464 mm
r _{1,2} min.	2.1 mm
d _a min.	517 mm
D _a max.	503 mm
r _a max.	2 mm
Basic dynamic load rating C	242 kN
Basic static load rating C ₀	1430 kN
Fatigue load limit P _u	25 kN
Reference speed	700 r/min
Limiting speed	950 r/min
Minimum load factor A	11
Mass bearing (including seat washer where applicable)	29.5 kg

59192 F Bearing 2D drawings and 3D CAD models