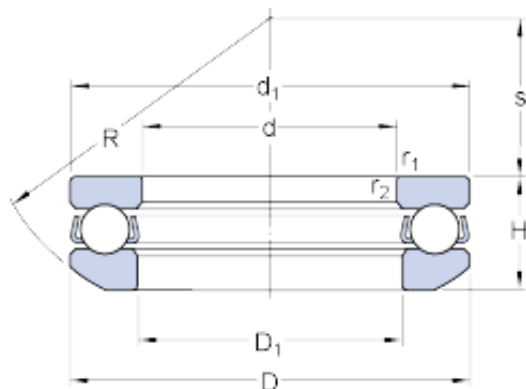




BEARING ITALIA S.P.A



skf 53212 + U 212 Single direction thrust ball bearings

Bearing No. 53212 + U 212

53212 + U 212 Bearing 2D drawings and 3D CAD models

Size	95x60x28 mm
Bore Diameter	95 mm
Outer Diameter	60 mm
Width	28 mm
d	60 mm
D	95 mm
H	28 mm
H ₁	31 mm
d ₁	95 mm
D ₁	62 mm
D ₂	78 mm
D ₃	100 mm
C	9 mm
R	72 mm
s	32.5 mm
r _{1,2} - min.	1 mm
d _a - min.	81 mm
D _a - max.	78 mm
r _a - max.	1 mm
Basic dynamic load rating - C	59.2 kN
Basic static load rating - C ₀	140 kN
Fatigue load limit - P _u	5.1 kN
Reference speed	2600 r/min
Limiting speed	3600 r/min



BEARING ITALIA S.P.A

Minimum load factor - A	0.12
H ₁	31 mm
d ₁	95 mm
D ₁	62 mm
D ₂	78 mm
D ₃	100 mm
r _{1,2} min.	1 mm
d _a min.	81 mm
D _a max.	78 mm
r _a max.	1 mm
Basic dynamic load rating C	59.2 kN
Basic static load rating C ₀	140 kN
Fatigue load limit P _u	5.1 kN
Minimum load factor A	0.12
Mass bearing (including seat washer where applicable)	0.82 kg